

# High Speed Door Albany RR300

ASSA ABLOY

ASSA ABLOY Entrance Systems

The global leader in  
door opening solutions



The Modular  
High Performance Door





## Low Profile

Thin side frames have a small footprint for unlimited installation possibilities.

## Modular Design

Allows for easy, custom configurations – specialized to meet your precise needs.

## Self-Repairing Break Away

Door can withstand accidental impact and remain operational. If hit, simply press a button to fix.

## Isolate Separate Areas

Tight sealing keeps separate areas contained from dust, debris and odors.



The Albany RR300 is the most versatile high speed door on the market. This single product can be easily customized for a range of interior applications – high traffic areas, clean and hygienic spaces, high pressure zones and much more. Select from a variety of fabrics, window panel options and top roll cover materials to create the perfect, fast-opening door for your facility.



### Optimize Limited Space

The Albany RR300 isolates distinct areas while improving the overall flow of business. This high performance door opens automatically and quickly at 80" per second, avoiding damage from forklift operators, and dirt and grime from bins and pallets. When the door is closed, a tight seal is formed around the entire perimeter of the door, helping to keep out debris and maintain separate temperatures where necessary.

The affordable Albany RR300 serves as the ideal barrier between separate spaces, with innovative features that outperform and outlast interior sectional doors or simple strip curtains. Easy, touch-free operation keeps traffic moving freely and helps to create a trouble-free work environment. Impressive safety features protect workers and products. The simple design, with minimal parts, and low-profile side frames, ensures gentle, quiet operations – and allows the Albany RR300 to be installed almost anywhere.

### Albany RR300 Doors Protect Air Design's High Quality Products from Dust & Damage

Air Design, located in Cuernavaca, Mexico, creates beautifully-crafted external elements to make cars more aerodynamic, improving speed and decreasing fuel usage.

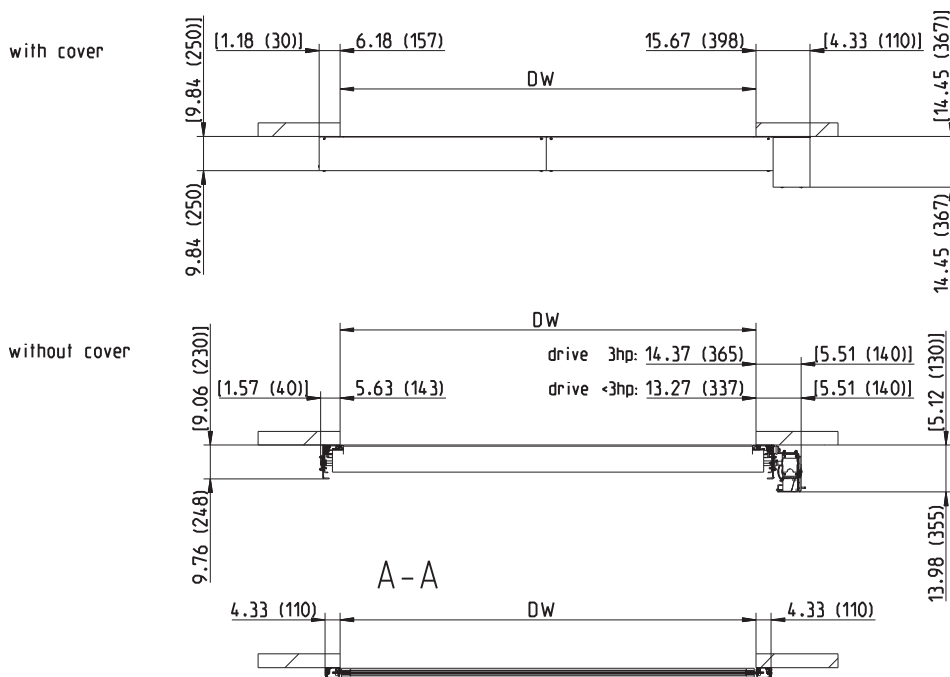
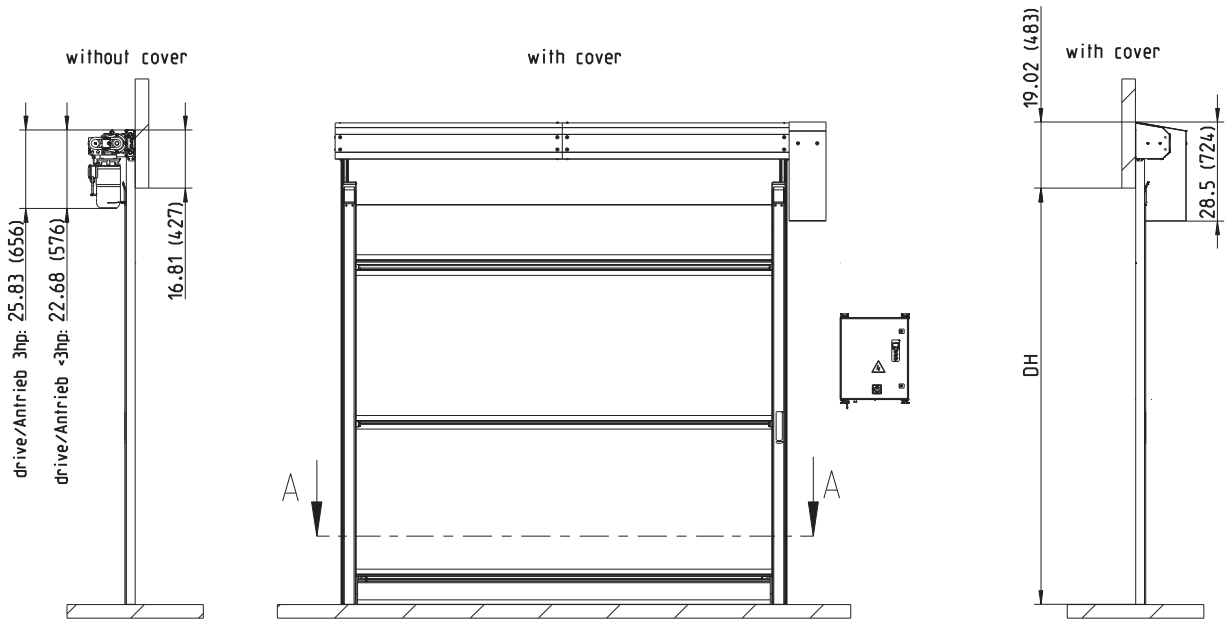
#### The Problem

Air Design was in need of a door that could protect the high-quality product they're known for. They paint aerodynamic parts for high-end international car makers and they need to ensure that no dust particles enter the paint booths.

#### The Solution

ASSA ABLOY Entrance Systems provided Air Design with three Albany RR300 doors. With fast opening speeds and a one-second delay

upon closing, the Albany RR300 moves fast enough to keep any dust in the factory from entering the paint booths. When the Albany RR300 is closed, the paint booths at Air Design benefit from the super tight, double seal protection around the perimeter of the door that prevents air and dust from seeping in. Finally, the light curtain safety sensors recognize when a person or object is in the doorway and then immediately reverse the door to the open position. The light curtain will prevent Air Design's freshly painted products from ever getting damaged. The tight seal, high speed and safety system on the Albany RR300 door are perfect for protecting Air Design's superior products, giving what was once a family workshop the tools it needs to continue growing into an international business.



all dimensions in inch. ( ) in mm

Available sizes		
	DW	DH
min:	3ft (914)	3ft (914)
max:	14ft (4267)	14ft (4267)

[ ] = Space needed for installation

9300R0013/b  
Stand: 2014-04-08

# Technical Information

## Door Dimensions

Min Width	3 ft (914 mm)
Max Width	14 ft (4,267 mm)
Min Height	3 ft (914 mm)
Max Height	14 ft (4,267 mm)

## Speeds

Opening Speed	Up to 80 in/sec
Closing Speed	≈24 in/sec

## Wind Resistance

Static Wind Load	50 mph
Static Pressure Load	6 psf
Operating Wind Load	30 mph
Operating Pressure Load	2.3 psf

## Door Panel

Self-Repairing Breakaway	YES (bring panel to front, push button)
Operating Noise	< 70 dBA
Applicable Agency Approvals	UL508A
Door Curtain Construction	Captured Panel: 2-ply PVC Fabric with wind knobs *RollText and 40oz. vinyl *Optional wind ribs with replaceable full-width vision panels

## Safety Features

Reversing Edge Type	Wireless electric contact edge
Photo Safety Type	Through-beam photoeye

## Door Components

Side Frame Construction	Low profile anodized aluminum
Bottom Beam Construction	Padded aluminum with high-visibility yellow loop seal
Top Roll Construction	Extruded aluminum with steel axles
*Roll Cover Construction	22 gauge steel powder-coated black (RAL 9005)
*Motor Cover Construction	22 gauge steel powder-coated black (RAL 9005)

## Control and Drive System

Control Panel	MCC VectorControl™
Voltage Options	*208V 3Ø (± 10%) 230V 3Ø (± 10%) 460V 3Ø (± 10%) *575V 3Ø (± 10%)
Motor Size	Up to 2.0hp helical-worm gearmotor
Warranty Terms	5-years / 1 Million Cycles on Drive Motor; 2 years all other mechanical & electrical
Operating Temperature Range	Standard 40 °F - +110 °F (4 °C - +43 °C) *Extended 32 °F - +140 °F (0 °C - +60 °C)
Controls Environmental Rating	NEMA-4
Motor Environmental Rating	IP-55
*ACS50 1-Speed Control System	Warranty on ACS50 Control System is 1-year for parts and labor. Other voltage restrictions may apply

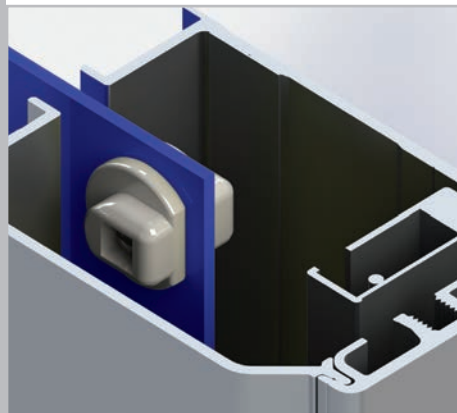
### Low-Profile Side Frame

Slim side frame is only 4" wide and projects 3" from the wall for easy installation almost anywhere.



### Captured Panel

No wind ribs allow for fast and quiet operation.



### Light Curtain

Smart safety system eliminates contact with objects in doorway.



We offer various options and actuation devices

\*Optional

ASSA ABLOY Entrance Systems is a leading supplier of entrance automation solutions for efficient flow of goods and people. With our globally recognized product brands Besam, Crawford, TKO, Albany and Megadoor, we offer products and services dedicated to satisfying end-user needs for safe, secure, convenient and sustainable operations. ASSA ABLOY Entrance Systems is a division within ASSA ABLOY.

**ASSA ABLOY**

assaabloyentrance.us • assaabloyentrance.ca



Technical data subject to change without notice

© ASSA ABLOY Entrance Systems AB/PLRR300/USA, EN-1.0/1503



ASSA ABLOY Entrance Systems

Tel: 1-800-252-2691  
info.na.aaes@assaabloy.com  
assaabloyentrance.us

Follow us:



Please enter ASSA ABLOY Entrance in the channel's search field.